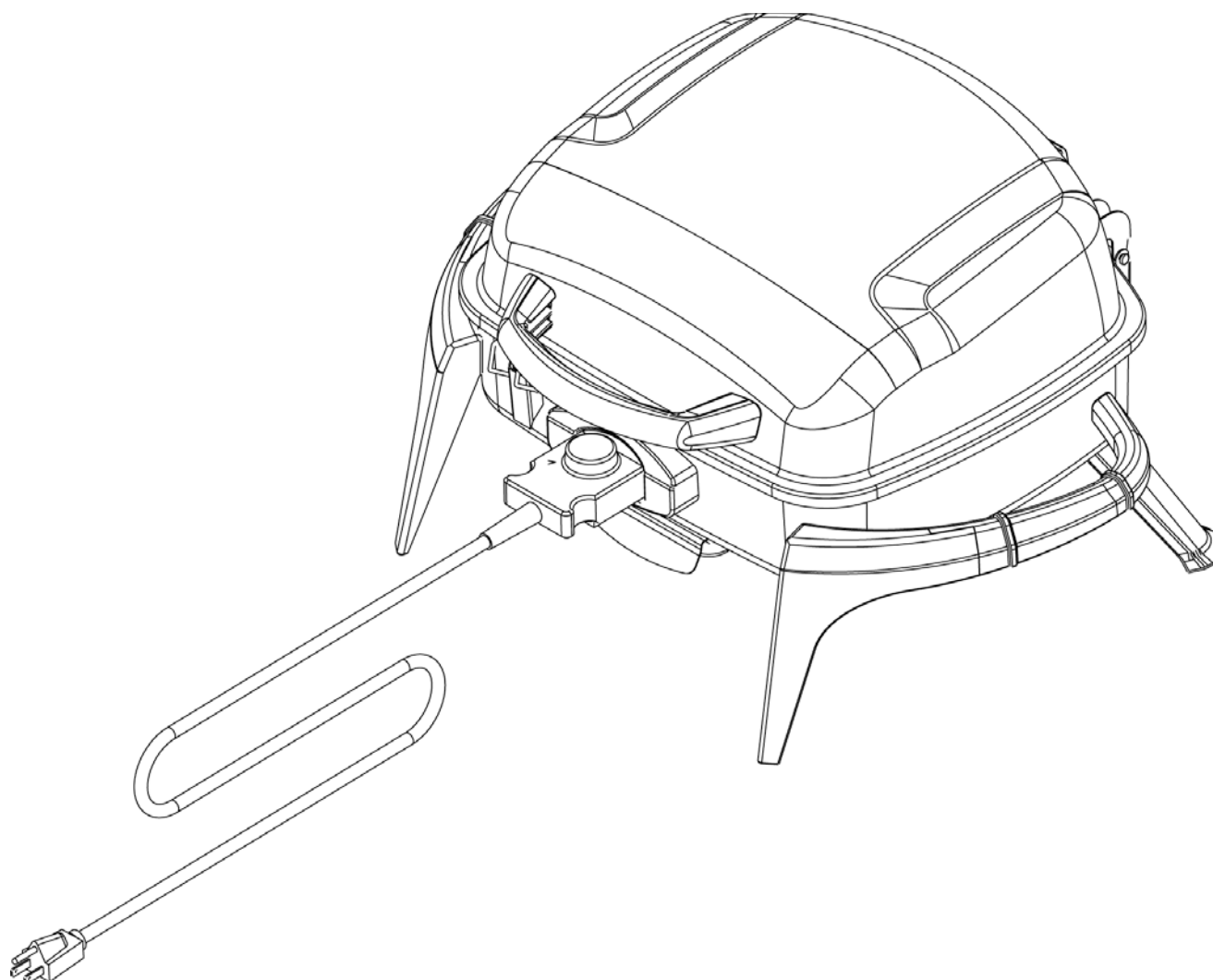


# OWNER'S MANUAL

## Outdoor Electric Barbecue Grill

Model No. EBT900W



**WARNING**  
**FOR YOUR SAFETY:**  
**For Outdoor Use Only**  
(outside any enclosure)

**WARNING**  
**FOR YOUR SAFETY:**

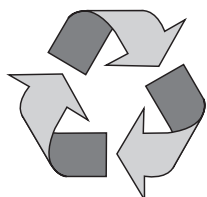
- 1. Improper installation, adjustment, alteration, service or maintenance can cause injury or property damage.**
- 2. Read the installation, operation and maintenance instructions thoroughly before installing or servicing this equipment.**
- 3. Failure to follow these instructions could result in fire or explosion, which could cause property damage, personal injury or death.**

**Danger**  
Do NOT use electric grill for indoor cooking or heating. NOT to be used in or on boats or recreational vehicles.

### Table of Contents

Important Safeguards . . . . .	Page 2
Exploded View & Hardware . . . . .	3
Assembly Instructions . . . . .	4
Operating Instructions . . . . .	5
First Use . . . . .	5
Cooking . . . . .	5
Tips . . . . .	6
Cleaning and Care . . . . .	6
Product Registration . . . . .	6
Limited Warranty . . . . .	6

Save these instructions for future reference. If you are assembling this unit for someone else, give this manual to him or her to read and save for future reference.



Made from 70% Bagasse  
(Environmentally Friendly Sugar  
Cane Pulp By-product)



Manufactured in China for:  
Blue Rhino Global Sourcing, Inc  
Winston-Salem, NC USA  
1.800.762.1142, www.bluerhino.com

© 2010 Blue Rhino Global Sourcing, Inc. All Rights Reserved

## IMPORTANT SAFEGUARDS

When using electrical appliances, basic safety precautions should always be followed including the following:

1. Read all instructions.
2. Do not touch hot surfaces. Use handles or knobs.
3. To protect against electrical shock do not immerse cord, plugs or heating element in water or other liquids.
4. Close supervision is necessary when any appliance is used by or near children.
5. Unplug from outlet when not in use and before cleaning. Allow to cool before putting on or taking off parts.
6. Do not operate any appliance with a damaged cord or plug or after the appliance malfunctions or has been damaged in any manner. Return appliance to the nearest authorized service facility for examination, repair or adjustment.

7. The use of accessory attachments not recommended by the appliance manufacturer may cause injuries.
8. Do not let cord hang over edge of table or counter or touch hot surfaces.
9. Do not palce on or near a hot gas or electric burner or in a heated oven.
10. Extreme caution must be used when moving an appliance containing hot oil or other hot liquids.
11. Always attach plug to appliance first, then plug cord into the wall outlet. To disconnect, turn the control to "OFF", then remove plug from wall outlet.
12. Do not use appliance for other than intended use.
13. Use only on properly grounded outlet.
14. Fuel, such as charcoal briquettes, is not to be used with appliance.

## 15. SAVE THESE INSTRUCTIONS.



### WARNING

#### FOR YOUR SAFETY

1. Do not store or use gasoline or other flammable vapors and liquids in the vicinity of this or any other appliance.
2. When cooking with oil/grease do not allow the oil/grease to exceed 350°F (176.5°C). Do not store or use extra cooking oil in the vicinity of this or any other appliance.

▲ **DANGER:** Failure to follow the dangers, warning and cautions in this manual may result in serious bodily injury or death, or in a fire or an explosion causing damage to property.

▲ **WARNING:**

- ▲ This grill is for outdoor use only, and shall not be used in a building, garage or any other enclosed area.
- ▲ This grill is NOT for commercial use.
- ▲ This grill is for use with electricity.
- ▲ This is not a tabletop grill. Therefore, do not place this grill on any type of tabletop surface.
- ▲ Do not use 16 gauge extension cords. Damage to household wiring and/or fire could result.
- ▲ **ELECTRIC SHOCK CAN KILL OR RESULT IN SERIOUS INJURY. TO PREVENT ELECTRICAL SHOCK:**
  - a. Use only with GFI (Ground Fault Interrupter) protected circuit.
  - b. Do not use grill when raining.
  - c. To prevent grill from being splashed or falling into water, do not use grill within 10 feet of pool, pond or other body of water.
  - d. Keep grill and electric controller dry and out of rain at all times.
  - e. Do not operate grill with an electric controller that has a damaged cord, plug, or metal probe. Call our customer service hotline for a replacement controller. This controller is made specifically for this grill.
  - f. Never remove grounding plug, or use with an adapter to two prongs.
  - g. Keep electric plugs off ground, and dry.
  - h. In case of fire, turn controller OFF, unplug grill from outlet and allow fire to burn out. Do not use water to put out a fire in this or any other electrical appliance.
  - i. Do not use water or other liquid spray to clean grill without first unplugging electric controller and removing heating element.
- ▲ The use of alcohol, prescription or non-prescription drugs may impair the consumer's ability to properly assemble or safely operate the appliance.
- ▲ Never use lighter fluid, lava rocks, gasoline, kerosene or alcohol with this product.
- ▲ Do not store or use gasoline or other flammable liquids or vapors within 25 feet (7.62 m) of this appliance.
- ▲ Do not use in an explosive atmosphere. Keep grill area clear and free from combustible materials, gasoline and other flammable vapors and liquids.
- ▲ Keep all combustible items and surfaces at least 21 inches (53 cm) away from the grill at all times. DO NOT use this grill under any overhead or near any unprotected combustible constructions.
- ▲ Do not alter grill in any manner.
- ▲ Do not use the grill unless it is COMPLETELY assembled and all parts are securely fastened and tightened.
- ▲ This grill should be thoroughly cleaned and inspected on a regular basis.
- ▲ Use only the controller provided. The replacement controller shall be that specified by the manufacturer.
- ▲ Use only Ovis Enterprises Int'l Co., LTD, model OPT-001 controller.

- ▲ Use only Blue Rhino Global Sourcing, Inc. factory authorized parts. The use of any part that is not factory authorized can be dangerous. This will also void your warranty.
- ▲ Do not use this appliance without reading "Operating Instructions" in this manual.
- ▲ Do not touch metal parts of grill until it has completely cooled (about 45 min.) to avoid burns, unless you are wearing protective gear (pot holders, gloves, BBQ mittens, etc.).
- ▲ Do not use in or on boats or recreational vehicles.
- ▲ Do not use grill in high winds.
- ▲ Do not leave the grill unattended when ON, especially keep children and pets away from grill at all times.
- ▲ Do not attempt to move grill when in use. Allow the grill to cool before moving or storing.
- ▲ Always open grill lid carefully and slowly as heat and steam trapped within grill can severely burn you.
- ▲ Always use your grill on a hard, non-combustible, level surface. Use extreme caution on wooden decks.
- ▲ Keep all electrical cords away from a hot grill.
- ▲ Do not use grill for indoor cooking or heating. TOXIC fumes can accumulate and cause asphyxiation.
- ▲ After a period of storage and/or nonuse, inspect for any abrasion, wear, cuts to the controller and electrical cord.
- ▲ The use of accessory attachments not recommended by the appliance manufacturer may cause injuries.
- ▲ Always use a meat thermometer to ensure food is cooked to a safe temperature.
- ▲ Never cover entire cooking area with aluminum foil.
- ▲ Outdoor extension cords should be used with outdoor use products and are surface marked with suffix letters "W-A" and with a tag stating "Suitable for Use with Outdoor Appliances."
- ▲ Connections from your grill to an extension cord should be kept dry and off the ground.
- ▲ Store products indoors when not in use – out of the reach of children.
- ▲ Do not spray water or other liquids to clean this product
- ▲ Longer detachable power-supply cords or extension cords are available and may be used if care is exercised in their use.
- ▲ Extension cord should be kept dry and off the ground.
- ▲ If a longer detachable power-supply cord or extension cord is used:
  - a. The marked electrical rating of the cord set or extension cord should be at least as great as the electrical rating of the appliance, and
  - b. The cord should be arranged so that it will not drape over the countertop or tabletop where it can be pulled on by children or tripped over unintentionally.
- ▲ Use protective gloves when assembling this product.
- ▲ Do not force parts together as this can result in personal injury or damage to the product.
- ▲ Deaths, serious injury or damage to property may occur if the above is not followed exactly.

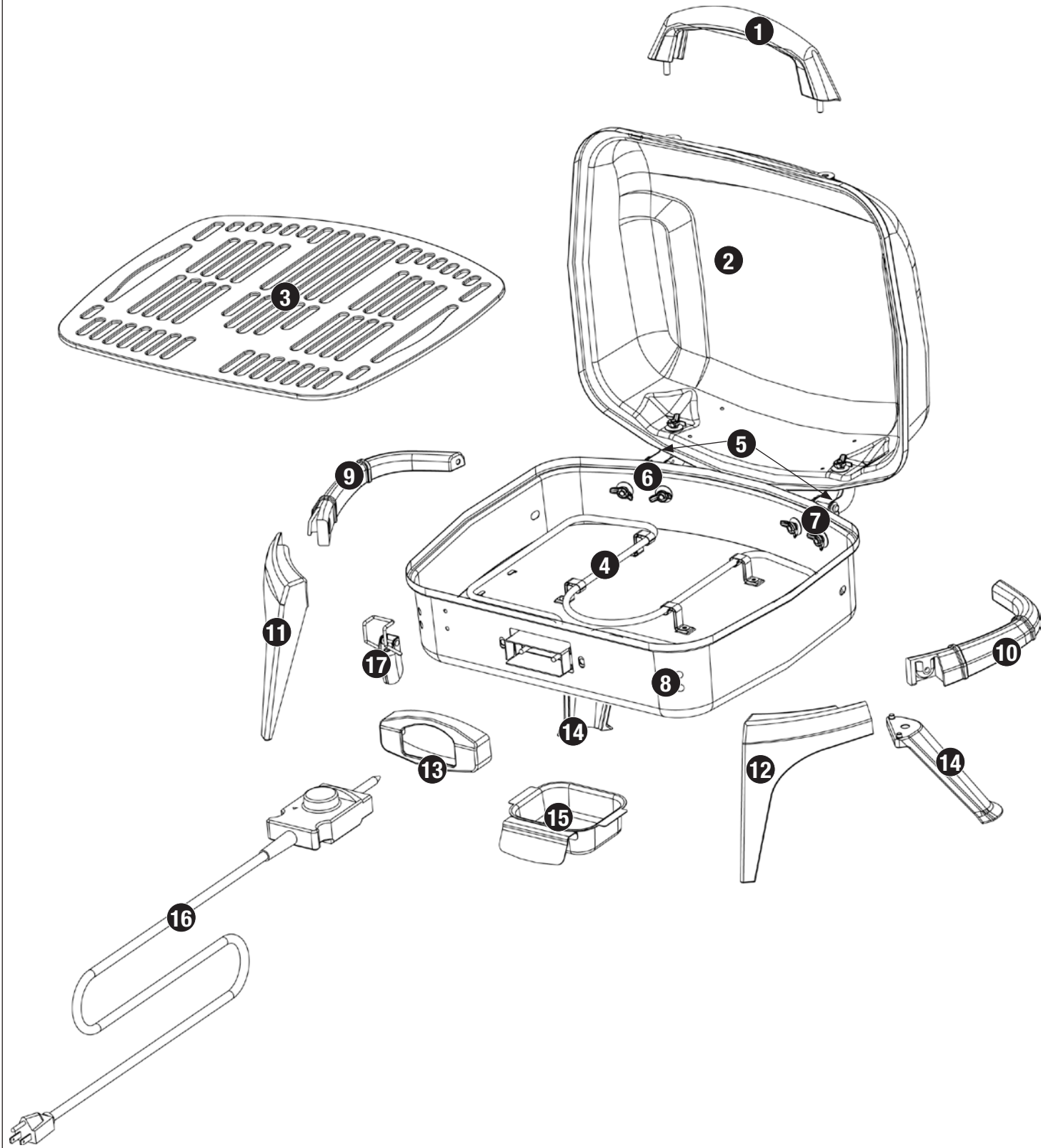
Contact 1.800.762.1142 for assistance. Do not return to place of purchase.  
For great recipes and tips, visit [recipes.uniflame.com](http://recipes.uniflame.com)

### Parts List

1	Lid Handle	55-09-082
2	Lid*	55-09-081
3	Cooking Grid	55-10-353
4	Heating Element and Heat Reflector Plate*	55-09-077
5	Top Hinge* (2)	55-07-181
6	Left Bottom Hinge*	55-09-078
7	Right Bottom Hinge*	55-09-084
8	Bottom Bowl*	55-10-352
9	Left Side Handle	55-09-080
10	Right Side Handle	55-09-086
11	Left Front Leg	55-09-079
12	Right Front Leg	55-09-085
13	Control Panel	55-09-073
14	Rear Leg (2)	55-07-161
15	Grease Cup	55-09-075
16	Temperature Control Assembly / Electric Cord	55-10-354
17	Lock	58-07-810

\* Pre-Assembled

### Exploded View

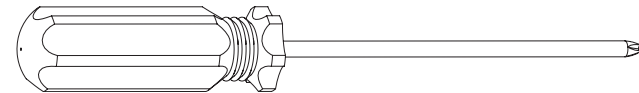


### Hardware

A	Screw	M4x10 Zinc Plated Phillips Truss Head	2 pcs
B	Screw	M5x10 Zinc Plated Phillips Truss Head	10 pcs
C	Screw	M6x18 Zinc Plated Phillips Truss Head	2 pcs
D	Wing Nut	M4 Steel	2 pcs
E	Wing Nut	M6 Steel	2 pcs
F	Washer	ø6.4 Steel	2 pcs
G	Washer	ø6.4 Heat Resistant	2 pcs

### Tools Required for Assembly (Included)

#2 Phillips Head Screwdriver 1 pc



## Assembly Instructions

### 1 DO NOT RETURN PRODUCT TO STORE.

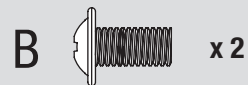
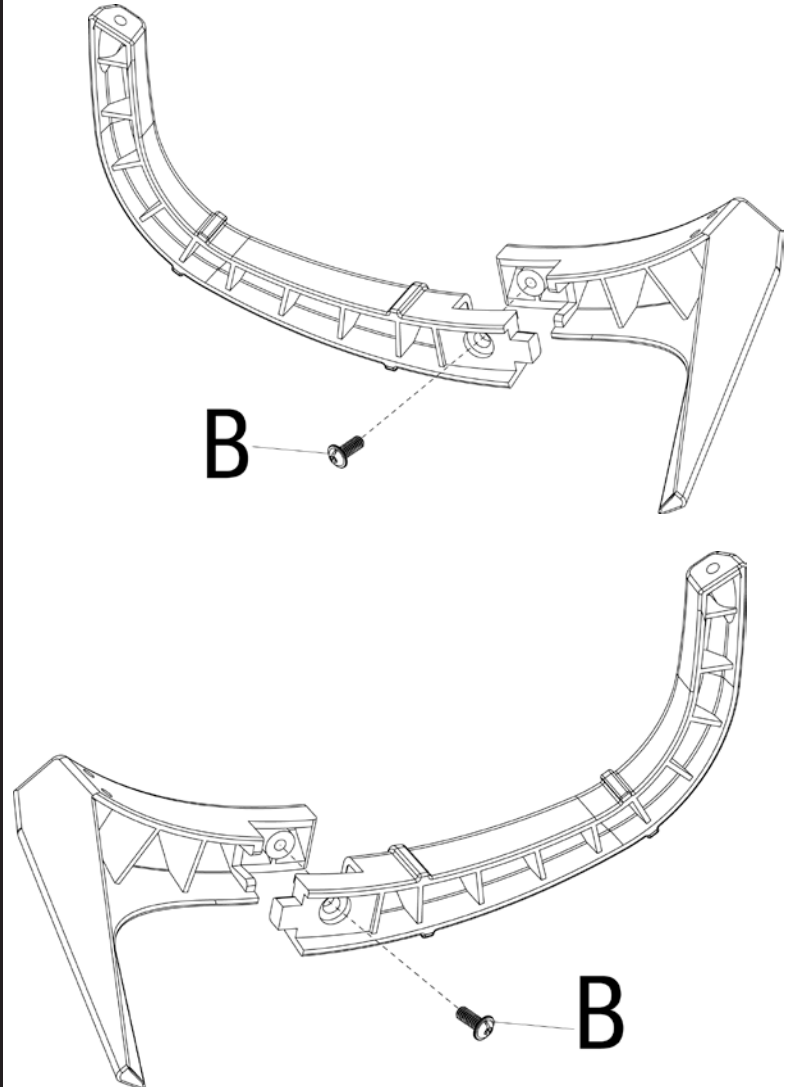
For assistance call **1.800.762.1142** toll free. Please have your owner's manual and model number available for reference.

For Easiest Assembly:

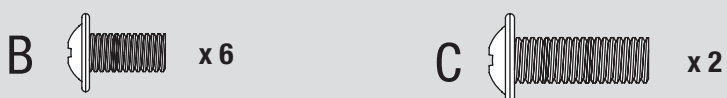
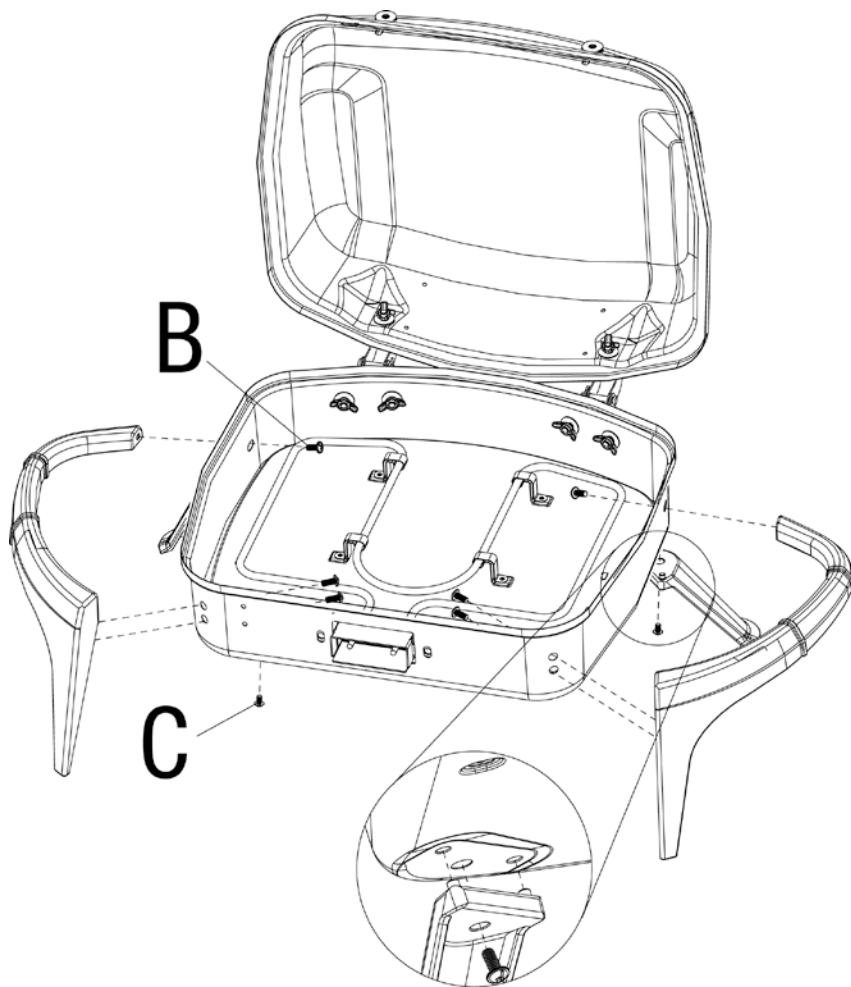
- To avoid losing any small components or hardware, assemble your product on a hard level surface that does not have cracks or openings.
- Clear an area large enough to layout all components and hardware.
- When applicable, tighten all hardware connections by hand first. Once the step is completed go back and fully tighten all hardware.
- Follow all steps in order to properly assemble your product.

Typical assembly: approximately 30 minutes.

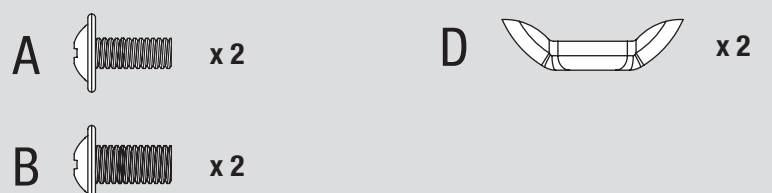
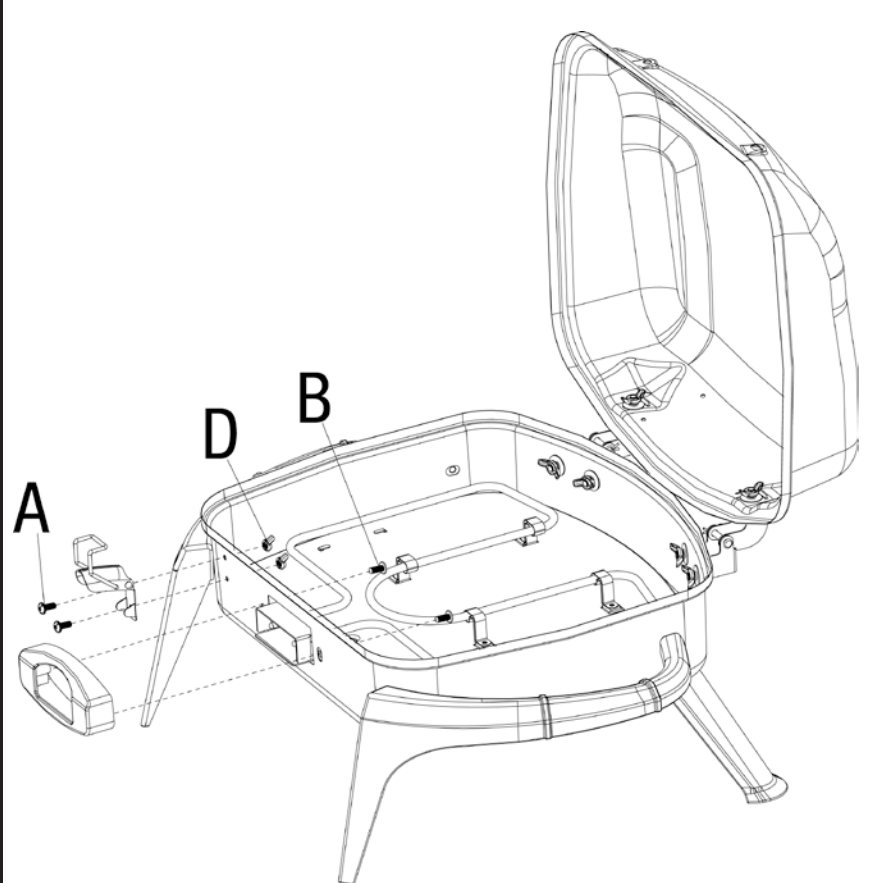
### 2 Assemble Side Handles and Front Legs



### 3 Attach Side Handles and Rear Legs



### 4 Attach Control Panel and Lock



## Operating Instructions

### Extension Cord

*Note:* Grill functions best WITHOUT an extension cord.

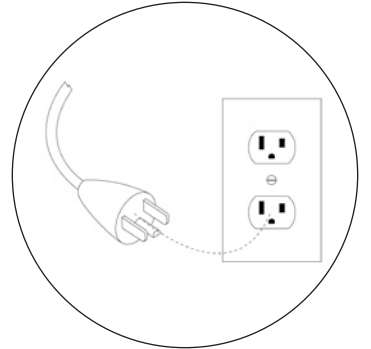
The short cord is provided to reduce the risk of becoming entangled in or tripping over a longer cord.

An extension cord may be used, if care is exercised.

If an extension cord is necessary:

- Use a UL approved, 3 prong plug (grounded) that is rated for at least 15 amperes, and suitable for outdoor use.
- Never connect two or more extension cords together.
- Use the shortest extension cord possible.
- A 12- or 14-gauge cord of less than 50 feet is preferable.
- Keep connections dry and off the ground.
- Avoid draping the grill cord over the countertop or tabletop where it can be pulled on by children, animals or tripped over unintentionally.

Figure 1



### Grounding Instructions

1. This grill must be grounded while in use to protect the operator from electrical shock.
2. The grill is equipped with a 3-conductor cord and a dry GFI (Ground-Fault Interceptor) 3 prong outlet. (Figure 1)
3. An adaptor should be used for connecting a 3-prong plug to a 2-prong receptacle. (Figure 2)
4. The grounding tab, which extends from the adaptor, must be connected to a permanent ground such as a properly grounded outlet box using a metal screw. (Figure 3)

Figure 2

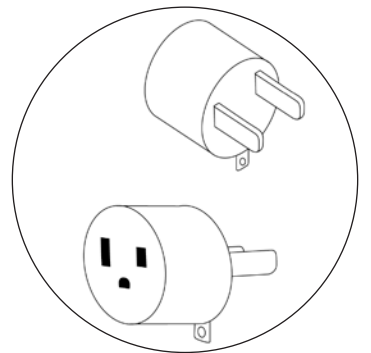
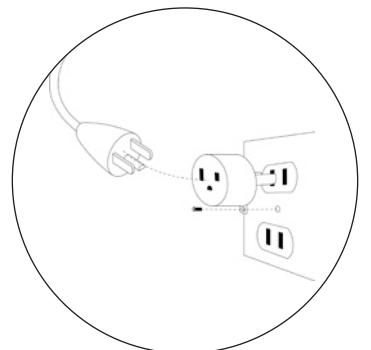


Figure 3



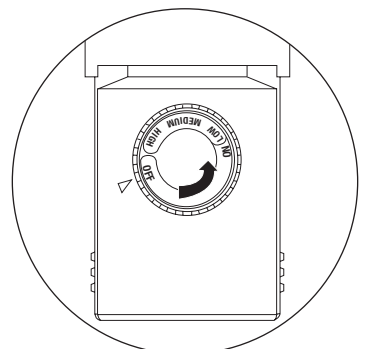
### First Use

1. Make sure all labels, packaging and protective films have been removed from the grill.
2. Remove manufacturing oils before cooking on this grill for the first time by operating the grill for at least 15 minutes on "HIGH" setting with the lid closed. This will "heat clean" the internal parts and dissipate odors.

### Turning On

1. Make sure that temperature controller assembly is turned fully to the "OFF" position. (Figure 4)
2. Plug the controller assembly into the grill. (Figure 5)
3. Plug the other end into a dry GFI (Ground-Fault Interceptor) 3 prong outlet. (Figure 1)
4. Adjust the settings on the control assembly to desired level.

Figure 4



### Turning Off

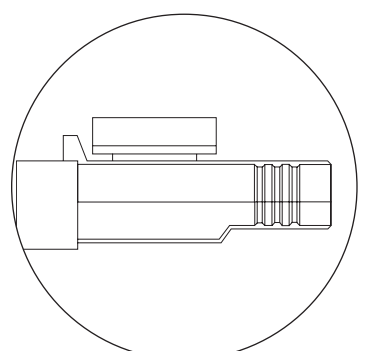
1. Turn the controller knob to "OFF".
2. Unplug the power cord from the wall outlet.
3. Unplug the temperature controller assembly from the grill.

### Cooking

1. Close lid and preheat grill on "HIGH" setting.
2. While wearing protective gloves open lid and place food onto cooking grid with long handle tongs.
3. Adjust control as needed to desired temperature.
4. With lid open or closed, cook until desired internal food temperatures are achieved.
5. Turn control to "OFF" and leave lid open to cool off.

Position of controller is indicated by triangular mark. Illustration shows controller in "OFF" position.

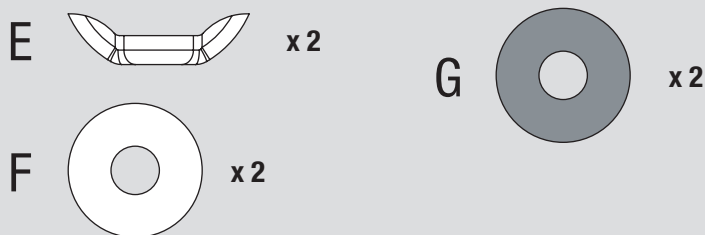
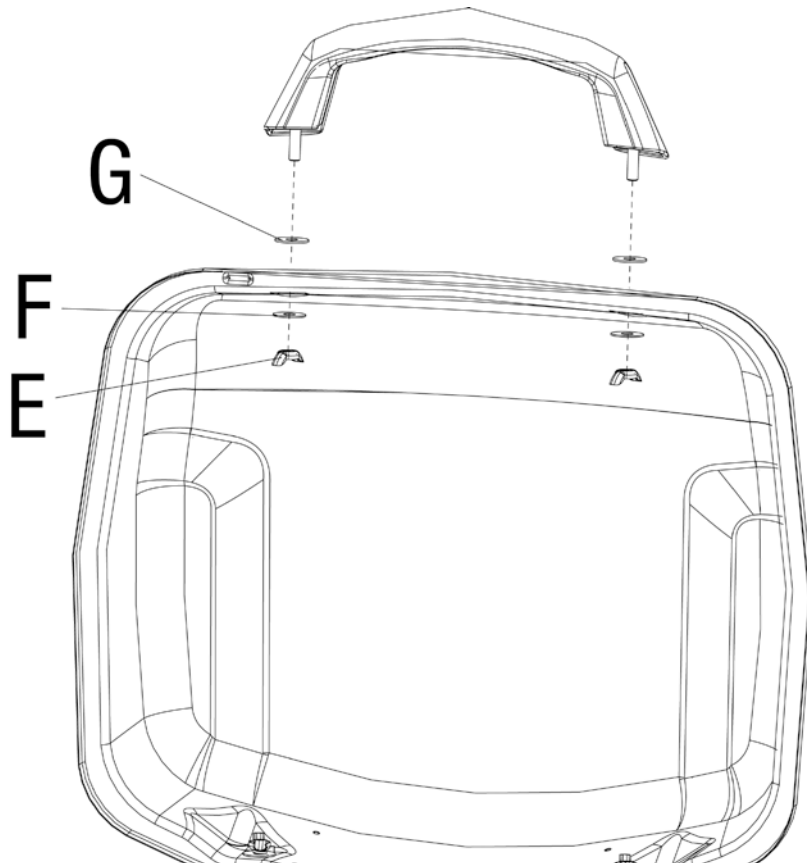
Figure 5



Raised lip of controller should be inserted until it is snug against element bracket.

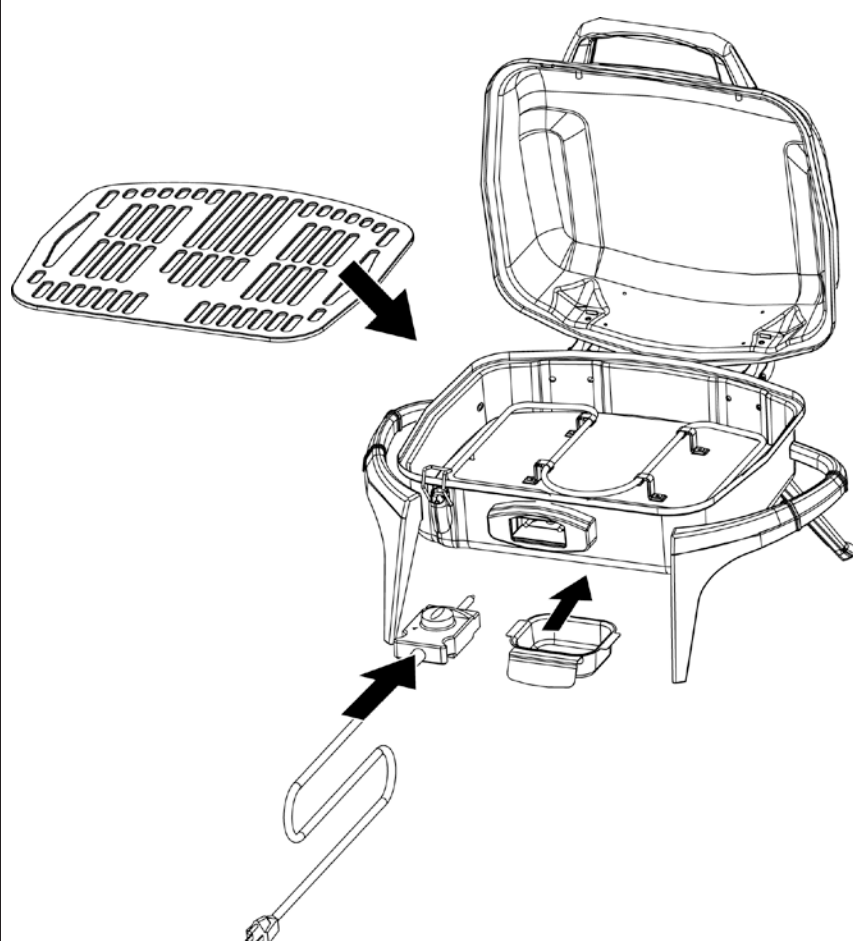
## 5

### Attach Handle



## 6

### Insert Temperature Control Assembly, Grease Cup and Cooking Grid



## Operating Instructions (continued)

### Tips for Better Cookouts and Longer Grill Life

1. For great recipes and tips, visit [recipes.uniflame.com](http://recipes.uniflame.com).
2. For food safety tips visit: [http://www.fsis.usda.gov/Fact\\_Sheets/Barbecue\\_Food\\_Safety/](http://www.fsis.usda.gov/Fact_Sheets/Barbecue_Food_Safety/)
3. To keep food from sticking to the grids, spray or coat with cooking oil before starting. Avoid getting oil on heating element as it will produce smoke.
4. Place delicate foods like fish and vegetables in aluminum foil pouches.
5. To avoid losing natural juices, use long handled tongs or spatulas instead of forks and turn foods over just once during cooking.
6. Accessories designed for electric grills can enhance your experiences, reduce cooking times and aid in clean-up.
7. Clean cooking grid after every use with a quality grill brush designed for your grid material. Wear protective gloves and gently remove the build-up while grids are hot.
8. After every use, allow grill to cool. Then protect clean cooking grids with a light coat of cooking oil, empty grease pan, wipe outside surfaces with a suitable kitchen cleaner and store in a cool dry place.
9. Watch barbecue themed TV shows or purchase related barbecue cookbooks to learn more interesting tips.

## Cleaning and Care

### ⚠ Caution

1. **All cleaning and maintenance should be done when grill is cool (about 45 minutes) and with the cord unplugged.**
2. **DO NOT clean any grill part in a self cleaning oven. The extreme heat will damage the finish.**

### Notices

1. **Abrasive cleaners will damage this product.**
2. **Never use oven cleaner to clean any part of grill.**
3. **Any other servicing should be performed by an authorized service representative.**

### Cleaning Surfaces

1. Wipe surfaces clean with mild dishwashing detergent or baking soda.
2. For stubborn surfaces use a citrus based degreaser and a nylon scrubbing brush.
3. Rinse clean with water.

### Cleaning Heating Element

1. Make sure grill is unplugged from wall outlet and controller is removed.
2. Remove cooking grid.
3. Remove heating element by unscrewing wing nuts and lifting up and out.
4. Clean element with damp cloth. Be careful not to scratch surface. Do not immerse in water.
5. Reinstall heating element securely.
6. Inspect controller and cord for any damage, then reinstall.

## Product Registration

For faster warranty service, register your product immediately at [www.bluerhino.com](http://www.bluerhino.com) or call 1.800.762.1142.

## Limited Warranty

Blue Rhino Global Sourcing, Inc (“Vendor”) warrants to the original retail purchaser of this product, and to no other person, that if this product is assembled and operated in accordance with the printed instructions accompanying it, then for a period of one (1) year from the date of purchase, all parts in such product shall be free from defects in material and workmanship. Vendor may require reasonable proof of your date of purchase. Therefore, you should retain your sales slip or invoice. This Limited Warranty shall be limited to the repair or replacement of parts, which prove defective under normal use and service and which Vendor shall determine in its reasonable discretion upon examination to be defective. Before returning any parts, you should contact Vendor’s Customer Service Department using the contact information listed below. If Vendor confirms, after examination, a defect covered by this Limited Warranty in any returned part, and if Vendor approves the claim, Vendor will replace such defective part without charge. If you return defective parts, transportation charges must be prepaid by you. Vendor will return replacement parts to the original retail purchaser, freight or postage prepaid.

This Limited Warranty does not cover any failures or operating difficulties due to accident, abuse, misuse, alteration, misapplication, improper installation or improper maintenance or service by you or any third party, or failure to perform normal and routine maintenance on the product as set out in this owner’s manual. In addition, the Limited Warranty does not cover damage to the finish, such as scratches, dents, discoloration, rust or other weather damage, after purchase.

This Limited Warranty is in lieu of all other express warranties. Vendor disclaims all warranties for products that are purchased from sellers other than authorized retailers or distributors, including the warranty of merchantability or the warranty of fitness for a particular purpose. VENDOR ALSO DISCLAIMS ANY AND ALL IMPLIED WARRANTIES, INCLUDING WITHOUT LIMITATION THE IMPLIED WARRANTIES OF MERCHANTABILITY AND FITNESS FOR A PARTICULAR PURPOSE. VENDOR SHALL HAVE NO LIABILITY TO PURCHASER OR ANY THIRD PARTY FOR ANY SPECIAL, INDIRECT, PUNITIVE, INCIDENTAL, OR CONSEQUENTIAL DAMAGES. Vendor further disclaims any implied or express warranty of, and assumes no responsibility for, defects in workmanship caused by third parties.

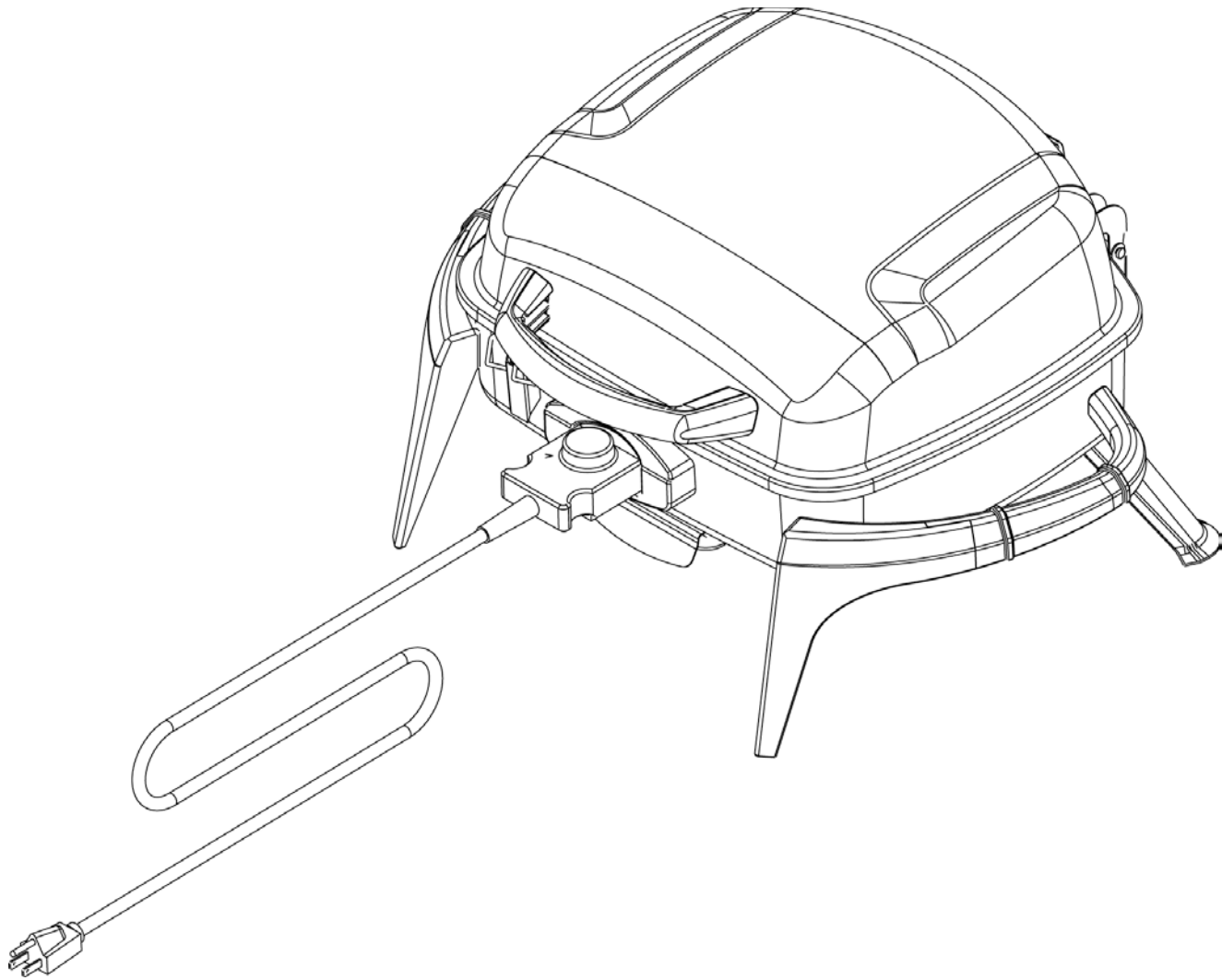
This Limited Warranty gives the purchaser specific legal rights; a purchaser may have other rights depending upon where he or she lives. Some jurisdictions do not allow the exclusion or limitation of special, incidental or consequential damages, or limitations on how long a warranty lasts, so the above exclusion and limitations may not apply to everyone.

Vendor does not authorize any person or company to assume for it any other obligation or liability in connection with the sale, installation, use, removal, return, or replacement of its equipment, and no such representations are binding on Vendor.

Blue Rhino Global Sourcing, Inc  
Winston-Salem, North Carolina USA  
(800) 762-1142

## Parrilla eléctrica para exteriores

Modelo no. EBT900W



### ADVERTENCIA

PARA SU SEGURIDAD:

**Solamente para uso en exteriores**  
(fuera de cualquier recinto)



### ADVERTENCIA

PARA SU SEGURIDAD:

1. Una instalación, ajuste, alteración, reparación o mantenimiento inadecuados pueden causar lesiones o daños a la propiedad.
2. Lea atentamente las instrucciones de instalación, funcionamiento y mantenimiento del equipo antes de instalarlo, ponerlo en marcha o darle servicio.
3. El no seguir estas instrucciones puede ocasionar un incendio o una explosión, con sus consecuentes daños a la propiedad, lesiones personales y hasta accidentes fatales.

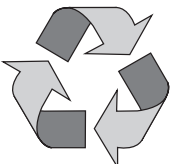
### Peligro

**NO use la parrilla eléctrica para cocinar en un interior o calentar un ambiente. NO debe usarse en o dentro de una embarcación o un vehículo de recreo.**

### Indice

Salvaguardias importantes .....	2
Diagrama de explosión y elementos de ferretería .....	3
Instrucciones de armado .....	4
Instrucciones de operación .....	5
Uso por primera vez .....	5
Cocción .....	5
Sugerencias .....	6
Limpieza y cuidado .....	6
Registro del producto .....	6
Garantía limitada .....	6

Conserve estas instrucciones para futuras consultas. Si está montando esta unidad para otra persona, entréguele este manual para futuras consultas.



Hecho con 70% de bagazo de caña

(subproducto de la caña de azúcar respetuoso del medio ambiente)



Fabricado en China para:  
Blue Rhino Global Sourcing, Inc  
Winston-Salem, NC EE.UU.  
1.800.762.1142, www.bluerhino.com

© 2010 Blue Rhino Global Sourcing, Inc. Todos los derechos reservados.

## PRECAUCIONES IMPORTANTES

Al utilizar aparatos eléctricos, siempre se deberían seguir simples precauciones de seguridad, que incluyan lo siguiente:

1. Lea todas las instrucciones.
2. No toque las superficies calientes. Utilice las manijas y perillas.
3. Para protegerse de choques eléctricos, no sumerja el cable de conexión, los enchufes o elemento de calentamiento en agua o en cualquier otro líquido.
4. Es necesario tener extremo cuidado al utilizar cualquier aparato cerca de los niños o al dejarles utilizarlo.
5. Desenchufe el aparato del receptáculo eléctrico cuando no se utilice y antes de proceder con su limpieza. Deje que se enfríe antes de colocar o retirar piezas.
6. No haga funcionar esta unidad con el cable de conexión o el enchufe dañados o después de que el mismo haya presentado un mal funcionamiento o haya sido dañado. Reclame en el centro de servicio autorizado para revisar, reparar o ajustar su unidad.
7. El uso de accesorios no recomendados por el fabricante del aparato, puede ocasionar graves lesiones.

8. No permita que el cable de conexión sobresalga el borde de la mesa o el mostrador o que toque superficies calientes.
9. No coloque la unidad en o cerca de quemadores a gas o eléctricos o en un horno caliente.
10. Se deberá ejercer extrema precaución al mover una unidad que contenga aceite caliente u otros líquidos calientes.
11. Siempre, conecte primero el enchufe a la unidad, luego enchufe el cable de conexión al receptáculo eléctrico. Para desconectarlo, gire el control a la posición "OFF" (apagado), luego retire el enchufe del receptáculo eléctrico.
12. No utilice esta unidad para otros usos que no sean los especificados.
13. Use este aparato únicamente con receptáculo eléctrico con conexión a tierra.
14. Nunca use combustible como briquetas de carbón de leña con este aparato.

## 15. GUARDE ESTAS INSTRUCCIONES.



### ADVERTENCIA

#### PARA SU SEGURIDAD:

1. No guarde o use gasolina u otros líquidos o vapores inflamables cerca de esta unidad o de cualquier otro aparato.
2. Cuando utilice aceite/mantequilla para cocinar procure que ésta no supere los 350°F (176,5°C). No almacene aceite de cocina ni la use en exceso cerca de esta u otra unidad de cocción.

▲ **PELIGRO:** El no seguir los avisos de peligro, las advertencias y las precauciones, puede ocasionar un incendio o una explosión, con sus consecuentes daños a la propiedad, lesiones personales y hasta accidentes fatales.

#### ▲ ADVERTENCIA:

- ▲ Esta parrilla es para ser usada al aire libre únicamente y no debe usarse en un edificio, garaje o cualquier otra área cerrada.
- ▲ Esta parrilla NO ha sido diseñada para uso comercial.
- ▲ Esta parrilla debe ser usada con corriente eléctrica únicamente.
- ▲ No es una parrilla de sobremesa. Por lo tanto, no coloque esta parrilla sobre ningún tipo de superficie de sobremesa.
- ▲ No use cables de extensión de calibre 16. Esto puede causar daños en las instalaciones eléctricas de la casa y puede producir un incendio.
- ▲ **EL CHOQUE ELECTRICO PUEDE PRODUCIR LA MUERTE U OCASIONAR UNA GRAVE LESION. PARA EVITAR EL CHOQUE ELECTRICO:**
  - a. Use la unidad únicamente con circuito protegido con interruptor para falla de conexión a tierra (GFI).
  - b. No use esta parrilla cuando esté lloviendo.
  - c. Para evitar que la parrilla se salpique de agua o caiga en el agua, no use la parrilla a menos de 10 pies (3 metros) de una piscina, estanque o cualquier otra masa de agua.
  - d. Mantenga la parrilla y el controlador eléctrico secos y protegidos de la lluvia en todo momento.
  - e. No opere la parrilla con un controlador eléctrico con el cable, el enchufe o la sonda de metal dañados. Llame a nuestro servicio al usuario por nuestra línea telefónica directa para obtener un controlador de repuesto. Este controlador ha sido hecho específicamente para esta parrilla.
  - f. Nunca remueva del enchufe la clavija de conexión a tierra ni use un adaptador con solo dos clavijas.
  - g. Mantenga los enchufes eléctricos secos y sin tocar el piso.
  - h. En caso de fuego, apague el controlador (OFF), desenchufe la parrilla del receptáculo y deje que el fuego se extinga. No use agua para apagar el fuego en esta unidad o en cualquier otra unidad eléctrica.
  - i. No use agua o cualquier otro líquido de aerosol para limpiar la parrilla sin antes haber desenchufado el controlador eléctrico y removido el elemento de calentamiento.
- ▲ El uso de bebidas alcohólicas, medicamentos o drogas de farmacia puede afectar la habilidad del usuario para armar debidamente u operar en forma segura este aparato.
- ▲ No use nunca, líquido para encendedor, piedras volcánicas, gasolina, queroseno o alcohol con este aparato.
- ▲ No guarde o use gasolina u otros líquidos o vapores inflamables a menos de 25 pies (7,62 m) de esta unidad.
- ▲ No utilice el equipo en una atmósfera explosiva. Mantenga la zona de la parrilla libre de materiales combustibles, gasolina y cualquier otro vapor o líquido inflamable.
- ▲ Mantenga todo material y superficies combustibles a por lo menos 53 cm (21 pulgadas) de la parrilla en todo momento. NO use esta parrilla debajo de aleros o cerca de construcciones combustibles que no estén debidamente protegidas.
- ▲ No altere la parrilla de ninguna forma.
- ▲ No utilice la parrilla a menos que esté COMPLETAMENTE montada y que todas las piezas estén bien fijadas y apretadas.
- ▲ Esta parrilla debe limpiarse y verificarse completamente de manera regular.
- ▲ Utilice únicamente el controlador suministrado. El controlador de repuesto será el especificado por el fabricante.
- ▲ Use sólo el controlador modelo OPT-001 de Ovis Enterprises Int'l Co., LTD.
- ▲ Use únicamente piezas autorizadas de fábrica de Blue Rhino Global Sourcing, Inc. El uso de cualquier pieza no autorizada de fábrica puede ser peligroso. Su uso invalida su garantía.
- ▲ No encienda esta unidad sin haber leído las instrucciones de "Encendido" que se encuentran en este manual.
- ▲ No toque las piezas de metal de la parrilla hasta que no se haya enfriado completamente (alrededor de 45 minutos) para evitar quemaduras, a menos que usted tenga puestos elementos de protección tales como guantes o almohadilla para las ollas, guantes de barbacoa, etc.
- ▲ NO instale o utilice la unidad en embarcaciones o vehículos de recreo.
- ▲ No utilice la parrilla si hace mucho viento.
- ▲ No deje una parrilla encendida (ON) sin vigilancia, especialmente, mantenga los niños y las mascotas lejos de la parrilla en todo momento.
- ▲ No intente mover la parrilla mientras esté encendida. Deje que la parrilla se enfríe antes de moverla o guardarla.
- ▲ Abra siempre la tapa de la parrilla en forma cuidadosa y lentamente, pues el calor y el vapor que hay dentro de la parrilla pueden ocasionarle severas quemaduras.
- ▲ Coloque siempre la parrilla sobre una superficie firme, nivelada y no combustible. Use precaución extrema cuando use la unidad en plataformas de madera.
- ▲ Mantenga todos los cables eléctricos lejos de una parrilla caliente.
- ▲ NO use la parrilla para cocinar adentro o calentar el ambiente. Los gases TÓXICOS pueden acumularse y provocar la asfixia.
- ▲ Después de un período de almacenamiento o de falta de uso de la unidad, inspeccione el controlador y el cable eléctrico para detectar zonas gastadas o cortes en ella.
- ▲ El uso de accesorios o aditamentos a esta unidad no lo recomienda el fabricante y puede ser causa de lesiones.
- ▲ Use siempre un termómetro para carne para asegurar que la comida ha quedado cocida a la temperatura apropiada.
- ▲ Nunca cubra la totalidad del área de cocción con papel de aluminio.
- ▲ Los productos de uso al exterior deben usarse con cables de extensión de uso a la intemperie que están marcados con el sufijo "W-A" y con una etiqueta que indica que son "Apropiados para ser usados con aparatos de uso al exterior".
- ▲ Las conexiones de la unidad a una manguera de extensión deben mantenerse secas y por encima del piso.
- ▲ Cuando no esté usando los productos, guárdelos en el interior – fuera del alcance de los niños.
- ▲ Al limpiar este producto no lo rocíe con agua ni con otros líquidos.
- ▲ Se ofrecen cables de alimentación más largos o cables de extensión los que pueden usarse teniendo suficiente cuidado.
- ▲ El cable de extensión no debe ponerse en el suelo y debe mantenerse seco.
- ▲ Si se usa un cable removible de alimentación más largo o un cable de extensión:
  - a. La clasificación eléctrica marcada en el juego de cables o en el cable de extensión debe ser por lo menos igual o mayor que la clasificación eléctrica del aparato, y
  - b. El cable debe disponerse de manera que no sobresalga ni cuelgue del mostrador o de la mesa para que los niños no puedan halarlo o pueda existir el peligro de que alguien se enrede inadvertidamente en él.
- ▲ Por favor, use guantes de protección cuando esté armando este producto.
- ▲ No trate de forzar las piezas juntas pues esto puede ocasionar lesiones o dañar el producto.
- ▲ El no seguir exactamente las instrucciones dadas arriba puede producir daños a la propiedad, lesiones serias y hasta fatales.



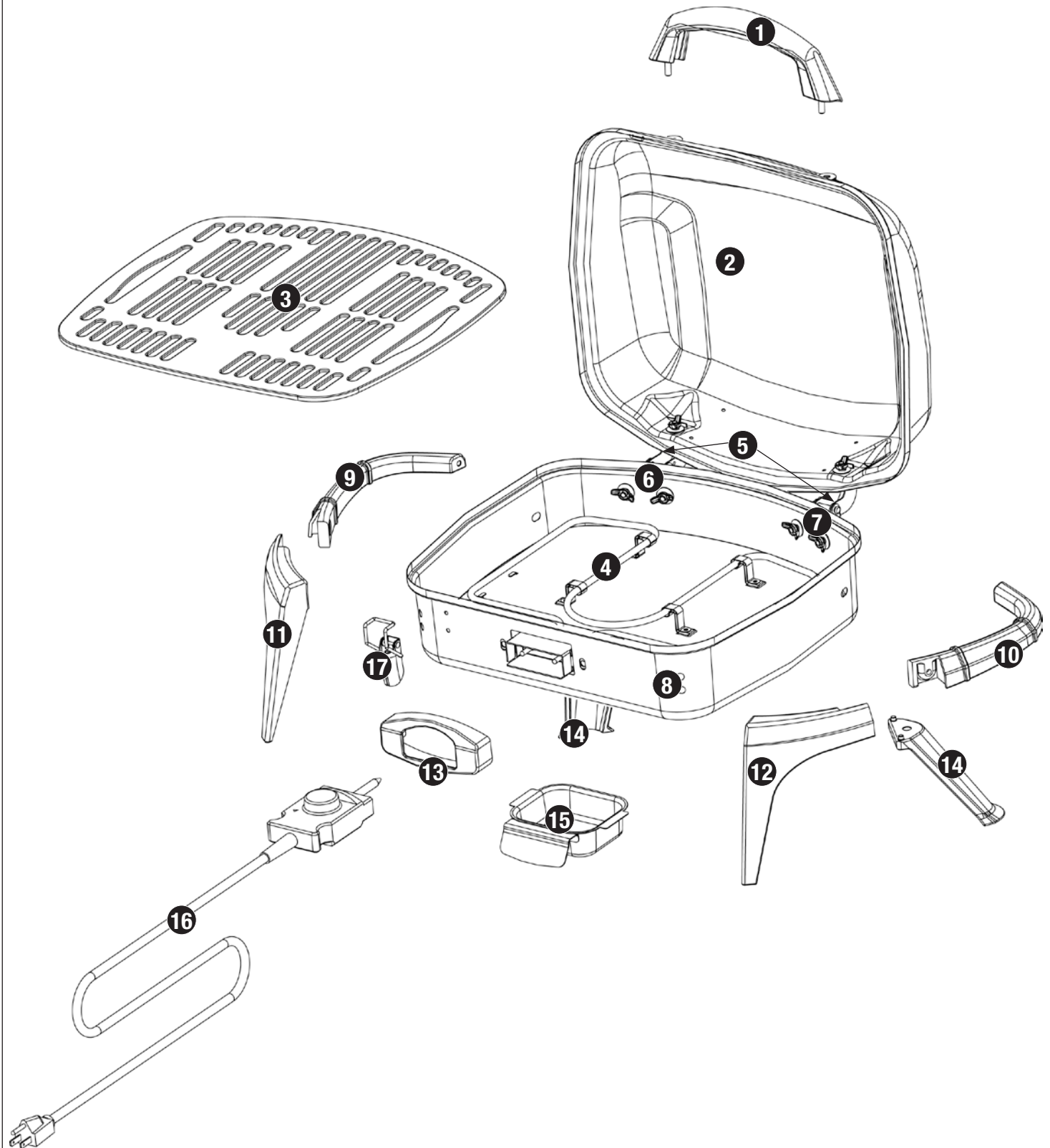
Si necesita ayuda llame al 1.800.762.1142. No vuelva al lugar de compra.  
Para obtener excelentes recetas y sugerencias, visite [recipes.uniflame.com](http://recipes.uniflame.com)

### Lista de piezas

1	Manija de la tapa	55-09-082
2	Tapa*	55-09-081
3	Parrilla de cocción	55-10-353
4	Elemento de calentamiento y placa reflectora de calor*	55-09-077
5	Bisagra superior* (2)	55-07-181
6	Bisagra inferior izquierda*	55-09-078
7	Bisagra inferior derecha*	55-09-084
8	Carcasa de la parrilla*	55-10-352
9	Manija lateral izquierda	55-09-080
10	Manija lateral derecha	55-09-086
11	Pata delantera izquierda	55-09-079
12	Pata delantera derecha	55-09-085
13	Panel de control	55-09-073
14	Pata trasera (2)	55-07-161
15	Recipiente para la grasa	55-09-075
16	Controlador de temperatura / Cordón eléctrico	55-10-354
17	Cierre	58-07-810

\* Pre-Assembled

### Diagrama de explosión



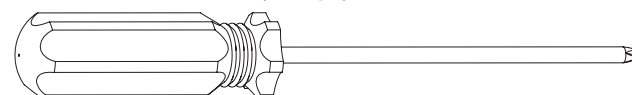
### Elementos de ferretería

A	Tornillo	Phillips de cabeza abombada, galvanizado, M4x10	2 pzs
B	Tornillo	Phillips de cabeza abombada, galvanizado, M5x10	10 pzs
C	Tornillo	Phillips de cabeza abombada, galvanizado, M6x18	2 pzs
D	Tuerca de mariposa	Acero, M4	2 pzs
E	Tuerca de mariposa	Acero, M6	2 pzs
F	Arandela	Acero, Ø6.4	2 pzs
G	Arandela	Resistente al calor, Ø6.4	2 pzs

### Herramientas necesarias para el armado (incluidas)

Destornillador en cruz (Phillips) no.2

1 pc



## Instrucciones de armado

# 1

### NO DEVUELVA EL PRODUCTO AL LUGAR DE COMPRA

Si necesita ayuda llame, sin cargo, al **1.800.762.1142**. Por favor tenga a mano su manual y el número del modelo, para referencia.

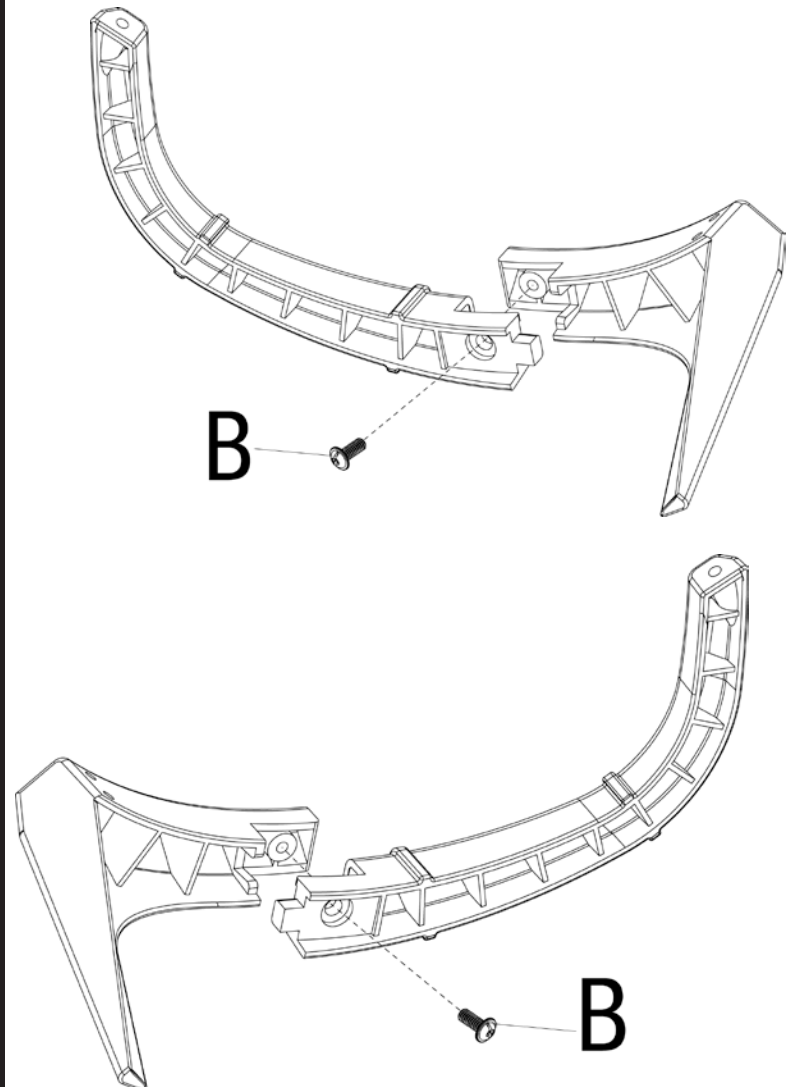
Para facilitar el armado:

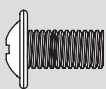
- Evite la pérdida de componentes pequeños o elementos de ferretería, armando el producto en un lugar de piso plano sin aberturas ni hendiduras.
- Despeje un área suficientemente grande para disponer todos los componentes y los elementos de ferretería.
- Cuando sea del caso, apriete a mano, en un principio, las conexiones de ferretería. Una vez que ha terminado el paso, apriete completamente todos los elementos de ferretería.
- Siga todos los pasos en el orden indicado para armar debidamente esta unidad.

Tiempo de armado estimado: 30 minutos.

# 2

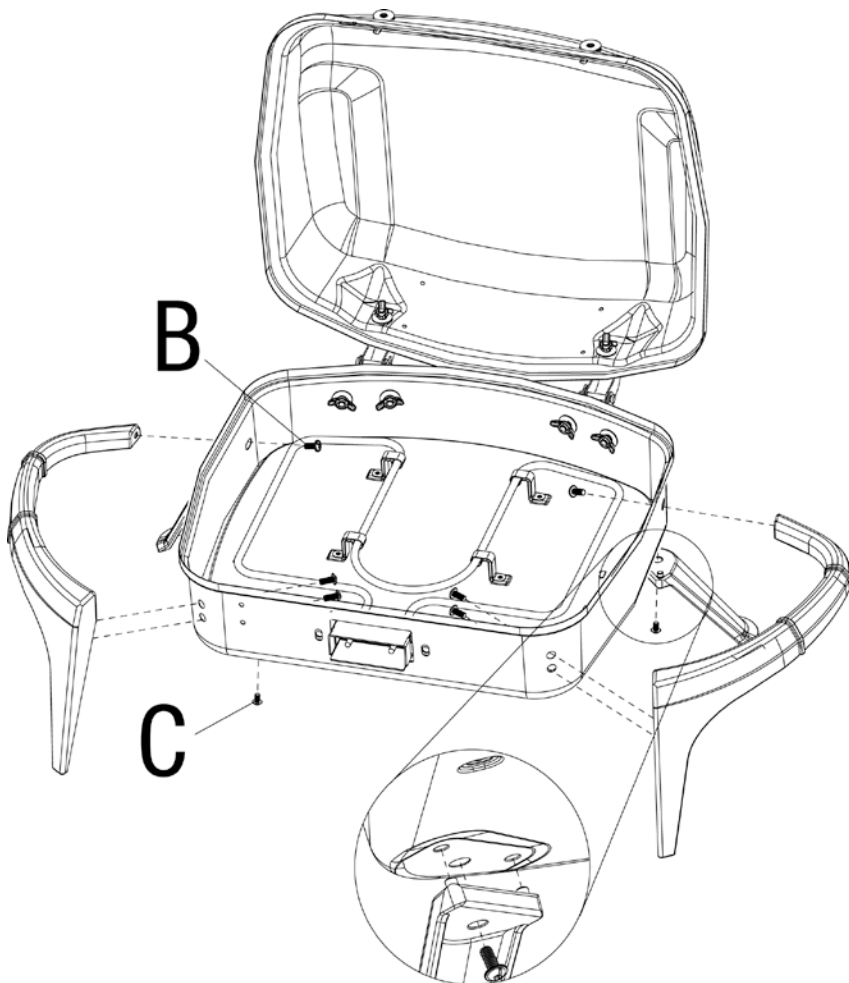
### Arme las manijas laterales y las patas delanteras

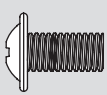
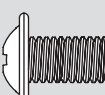


B  x 2

# 3

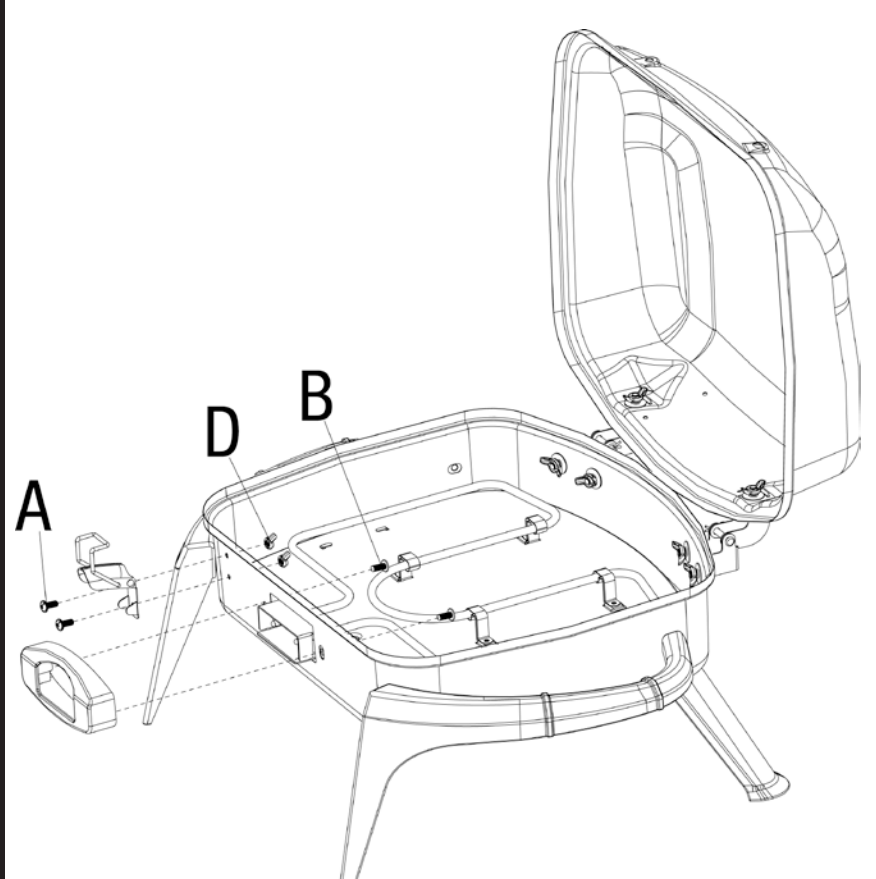
### Fije las manijas laterales y las patas traseras

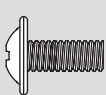
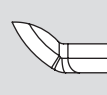
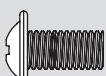


B  x 6      C  x 2

# 4

### Fije el panel de control y el cierre

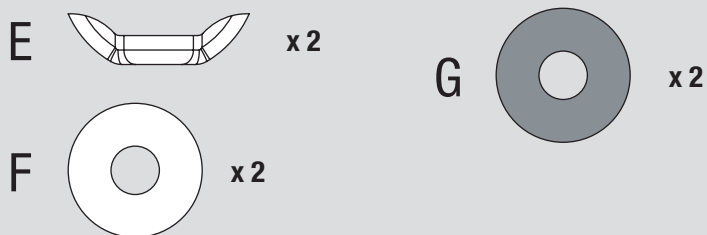
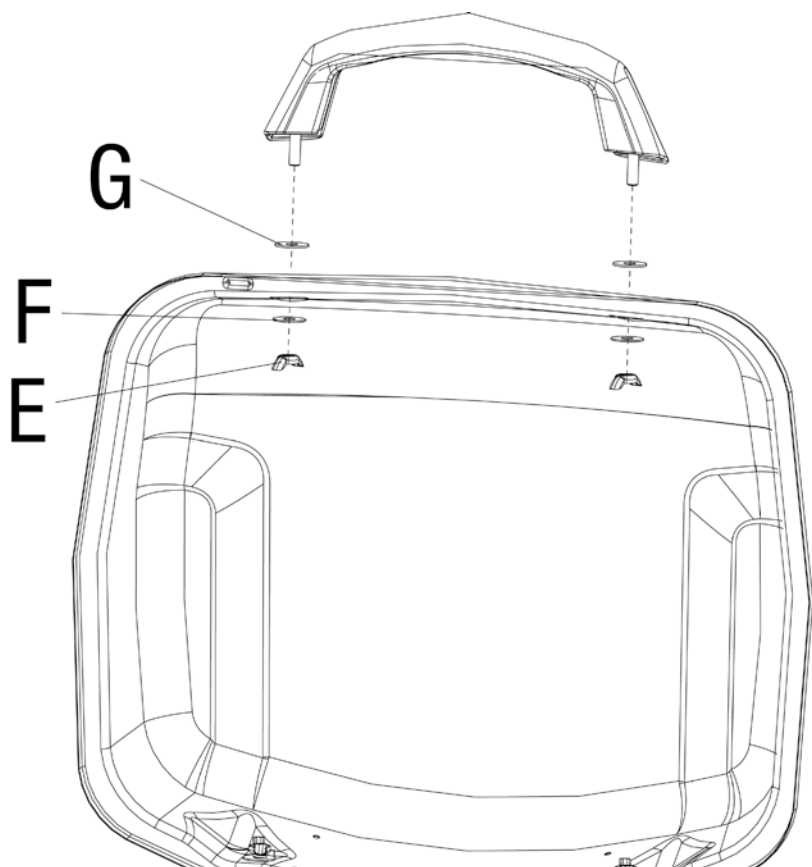


A  x 2      D  x 2  
B  x 2

Si necesita ayuda llame al 1.800.762.1142. No vuelva al lugar de compra.  
Para obtener excelentes recetas y sugerencias, visite [recipes.uniflame.com](http://recipes.uniflame.com)

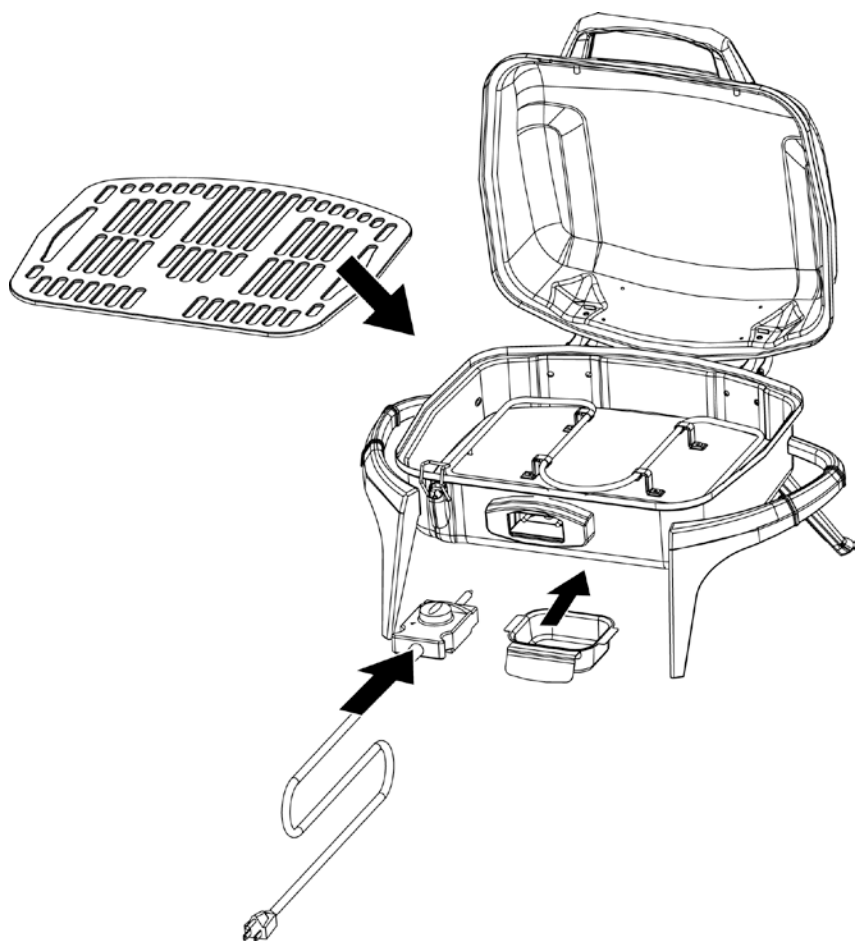
5

### Fije la manija



6

### Inserte el controlador de temperatura y el recipiente para la grasa y la parrilla de cocción



## Instrucciones de operación

### Cable de extensión

*Nota:* La parrilla funcionará mejor si NO usa un cable de extensión.

El cable corto se proporciona para reducir el riesgo de enredarse o tropezarse con un cable largo.

Si utiliza un cable de extensión, tenga cuidado.

Si necesita un cable de extensión:

- Use un cable aprobado por UL con enchufe de 3 clavijas (conectado a tierra) y clasificación para 15 amperios por lo menos, y adecuado para uso en exteriores.
- Nunca conecte dos o más cables de extensión juntos.
- Utilice el cable de extensión más corto posible.
- Es preferible usar un cable de calibre 12 ó 14 de menos de 50 pies (15 m) de longitud.
- Mantenga las conexiones secas y fuera del suelo
- Evite colocar el cable de la parrilla sobre el mostrador o la mesa, donde los niños o animales puedan jalarlo o donde pueda causar un tropiezo accidental.

Figura 1

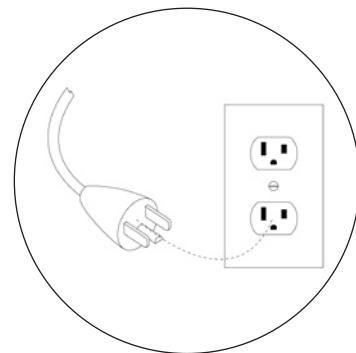


Figura 2

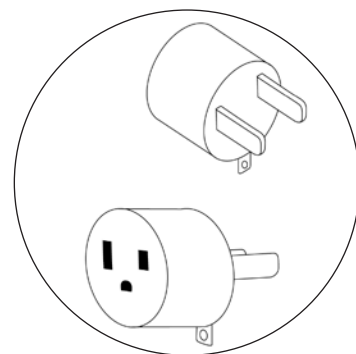
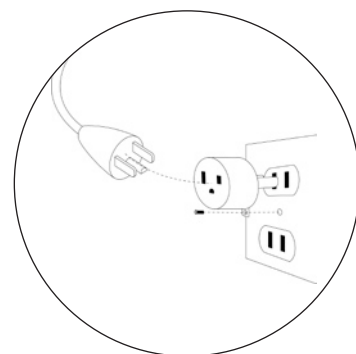


Figura 3



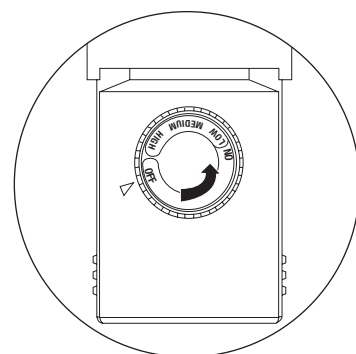
### Instrucciones de conexión a tierra

1. Esta parrilla debe estar conectada a tierra durante el uso para proteger al operador contra choque eléctrico.
2. La parrilla cuenta con un cable de 3 conductores y un enchufe de 3 clavijas GFI seco (interceptor de fallo a tierra), vea Figura 1.
3. Debe usarse un adaptador para conectar un enchufe de 3 clavijas a un enchufe de 2 clavijas para un receptáculo de 2 clavijas. (vea Figura 2).
4. La lengüeta de tierra que se extiende desde el adaptador debe conectarse a una tierra permanente, por ejemplo una caja de salida con una buena conexión a tierra, usando un tornillo metálico, vea Figura 3.

### Uso por primera vez

1. Verifique que todos los empaques, etiquetas y envolturas de protección han sido removidos de la parrilla.
2. Remueva todo aceite de fabricación que encuentre en la unidad antes de usar la parrilla por primera vez, encendiendo la parrilla por lo menos por 15 minutos en la graduación "HIGH" (alto), con la tapa cerrada. Esto realizará una "limpieza por calor" en las piezas internas de la unidad y hará que los olores se disipen.

Figura 4



### Encendido

1. Verifique que la perilla del controlador se ha girado completamente a la posición "OFF". (vea Figura 4).
2. Enchufe en la parrilla el controlador con perilla. (vea Figura 5)
3. Enchufe el otro extremo en un receptáculo eléctrico GFI (con interruptor para falla de conexión a tierra) que admita un enchufe de 3 clavijas. (vea Figura 1).
4. Ajuste las graduaciones en la perilla de control al nivel deseado

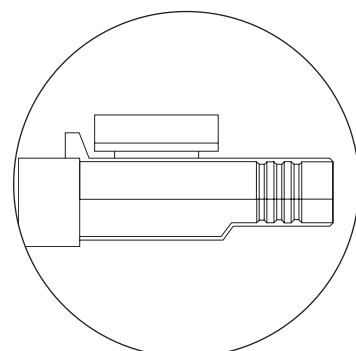
Las graduaciones del controlador están indicadas con una marca triangular.

La ilustración muestra el controlador en la posición "OFF" (apagado).

### Apagado

1. Gire la perilla del controlador a la posición "OFF" (apagado).
2. Desenchufe el cable de alimentación del receptáculo eléctrico.
3. Desenchufe el controlador de la parrilla.

Figura 5



El borde levantado del controlador debe introducirse hasta que quede ajustado contra el soporte del elemento.

### Cocción

1. Cierre la tapa y haga un calentamiento previo de la parrilla en la graduación "HIGH" (alto).
2. Use guantes de protección y tenacillas de mango largo para colocar los alimentos en las parrillas de cocción.
3. Ajuste los controles a la temperatura deseada.
4. Con la tapa abierta o cerrada haga la cocción de los alimentos hasta que la temperatura interna del alimento se haya alcanzado.
5. Gire la perilla de control a la posición "OFF" (apagado) y deje la tapa abierta para que se enfríe.

## Instrucciones de operación (continuación)

### Sugerencias para una mejor preparación de los alimentos y una vida útil más larga de la parrilla

1. Para obtener excelentes recetas y sugerencias, visite [recipes.uniflame.com](http://recipes.uniflame.com)
2. Para sugerencias de seguridad visite: [http://www.fsis.usda.gov/Fact\\_Sheets/Barbecue\\_Food\\_Safety/](http://www.fsis.usda.gov/Fact_Sheets/Barbecue_Food_Safety/)
3. Para evitar que los alimentos se peguen en las parrillas, aplique una capa de aceite de cocina a las parrillas antes de encender la unidad. Evite poner aceite en el elemento de cocción ya que producirá humo.
4. Coloque alimentos delicados tales como pescado y legumbres en bolsas de papel de aluminio.
5. Para evitar la pérdida de jugos naturales, use tenacillas de mango largo o espátulas, en lugar de tenedores, y voltee el alimento solamente una vez durante el proceso de cocción.
6. Los accesorios creados para parrillas eléctricas pueden hacer más agradable su experiencia, reducir el tiempo de cocción y facilitar la labor de limpieza.
7. Limpie la parrilla de cocción después de cada uso con un cepillo de calidad diseñado para el material de su parrilla. Use guantes de protección y remueva con cuidado la acumulación de residuos en las parrillas mientras éstas están todavía calientes.
8. Después de cada uso deje que la parrilla se enfríe. Luego proteja las parrillas de cocción ya limpias con una ligera capa de aceite de cocina, vacíe la bandeja de la grasa, limpie las superficies exteriores con un limpiador de cocina apropiado y guarde en un lugar fresco y seco.
9. Vea programas de televisión relacionados con la cocción de asados a la parrilla o compre libros de cocina relacionados con este tema para obtener interesantes sugerencias tales como:

## Limpieza y cuidado

### ▲ Precaución

1. **Todo trabajo de limpieza o mantenimiento debe hacerse cuando la parrilla esté fría y desconectada de la corriente eléctrica.**
2. **NO limpie ninguna pieza de esta parrilla en un horno de limpieza automática. El calor extremo dañará el terminado.**

### Avisos

1. **No use productos de limpieza abrasivos pues dañarán este aparato.**
2. **No utilice nunca productos limpiahornos para limpiar cualquier pieza de la parrilla.**
3. **Cualquier otro servicio de la unidad debe realizarse por un representante autorizado de servicio.**

### Limpieza de las superficies

1. Limpie las superficies con un detergente suave de lavado de platos o con soda de hornear.
2. En superficies de limpieza difícil, use un desengrasador a base de cítricos y un cepillo de nylon.
3. Enjuague las superficies con agua limpia.

### Limpieza del elemento de calentamiento

1. Verifique que la parrilla se ha desenchufado del receptáculo eléctrico.
2. Remueva la rejilla de cocción.
3. Remueva el elemento de calentamiento desatornillando las tuercas de mariposa que aseguran el elemento. Levante el elemento de calentamiento y sáquelo del costado de la parrilla.
4. Limpie el elemento de calentamiento con un paño húmedo. Tenga cuidado de no dañar la superficie del elemento de calentamiento. No sumerja el elemento de calentamiento en agua.
5. Vuelva a instalar el elemento de calentamiento.
6. Examine el controlador eléctrico y el cable de alimentación eléctrica para ver si muestran algún daño y luego vuelva a enchufarlos.

## Registro del producto

Para beneficiar del servicio de garantía más rápidamente, sírvase registrar su unidad inmediatamente visitando nuestro sitio Internet [www.bluerhino.com](http://www.bluerhino.com) o llamando al 1.800.762.1142.

## Garantía limitada

Blue Rhino Sourcing, Inc (“el fabricante”) garantiza al comprador original, al detal, de este producto, y a ninguna otra persona, que si la unidad se arma y opera de acuerdo con las instrucciones impresas que la acompañan y por un período de un (1) año a partir de la fecha de compra, todas las piezas de este producto estarán libres de defectos en material y mano de obra. El fabricante podrá requerir prueba razonable de la fecha de compra. Por lo tanto, usted debe conservar el recibo de venta o la factura. Esta garantía limitada estará limitada a la reparación o reemplazo de las piezas que resulten defectuosas en condiciones de servicio y uso normal y las que un examen indique, a satisfacción del fabricante, que están defectuosas. Antes de devolver cualquier pieza, comuníquese con el Departamento de Servicio al Cliente (Customer Service Department) del fabricante. Si el fabricante confirma el defecto y aprueba el reclamo, el fabricante decidirá reemplazar tales partes sin costo alguno. Si se le pide que devuelva las partes defectuosas, los costos de transporte deberán ser prepagados. El fabricante devolverá las partes al cliente con costo de transporte o envío prepagados.

Esta garantía limitada no cubre fallas o dificultades de operación debidas a accidente, abuso, mal uso, alteración, empleo en usos inapropiados, instalación defectuosa o mantenimiento o servicio inapropiado o falla en la realización de mantenimiento normal y rutinario como se prescribe en este manual del usuario.

Además, la garantía limitada no cubre daños al terminado de la unidad, tales como rasguños, abolladuras, descoloridos, oxidaciones y otros daños causados por la intemperie después de la compra de la unidad.

Esta garantía limitada reemplaza cualquier otra garantía. El fabricante no asume ninguna responsabilidad por garantías de productos vendidos por quienes no sean distribuidores o vendedores al detal autorizados. Esta exención de responsabilidad incluye cualquier garantía de comerciabilidad o la garantía de aptitud para un propósito en particular. EL FABRICANTE NO SE HACE RESPONSABLE POR NINGUNA GARANTIA IMPLICITA INCLUYENDO, SIN LIMITACIONES, LAS GARANTIAS IMPLICITAS DE COMERCIABILIDAD Y ADAPTABILIDAD A UN PROPOSITO PARTICULAR. EL FABRICANTE NO ASUME RESPONSABILIDAD ANTE EL COMPRADOR O ANTE CUALQUIER TERCERA PERSONA POR DAÑOS ESPECIALES, INDIRECTOS, PUNITIVOS, INCIDENTALES O CONSECUENCIALES. El fabricante, además, no asume responsabilidad por garantías implícitas o expresas por defectos de mano de obra causados por terceras personas.

Esta garantía limitada le da al comprador derechos legales específicos y el comprador puede tener otros derechos según el lugar donde el comprador o la compradora residan. Ciertas jurisdicciones no permiten limitaciones en cuanto a la duración de una garantía implícita, de manera que esta limitación puede no ser aplicable a usted.

El fabricante no autoriza a ninguna persona o compañía para asumir por el fabricante cualquier otra obligación a responsabilidad relacionada con la venta, instalación, uso, remoción, devolución o reemplazo de este equipo y cualquier representación de esta naturaleza no obliga al fabricante.

Blue Rhino Sourcing, Inc  
Winston-Salem, North Carolina 27104, EE.UU.  
(800)-762-1142